



## TEL-TRU MANUFACTURING COMPANY

# REMO-TEL™ COMPOST TEMPERATURE MONITORING SYSTEM

The Remo-Tel Compost wirelessly automates the monitoring and data collection of your composting process. The real-time data monitoring and temperature alerts system saves time and money with improved efficiency.

### Data Driven Decisions = Processing Precision

#### ► FEATURES:

- Automated temperature data logging for efficiency and compliance
- Real-time automated call, text, and email alerts inform you of abnormal temperature conditions, significantly reducing the risk of pile combustion or rotting
- View temperature log with online dashboard and download reports for your records
- Digital sensor for maximum precision,  $\pm 0.4^\circ\text{F}$  accuracy
- CPVC sheath for corrosion protection of stem
- Cellular based system requires no local network connection, helping to minimize cyber risks and downtime
- Built-in battery backup sends alert when power is lost and continues to operate for up to 48 hours afterwards
- Users may view or download data remotely from any internet-connected device using the Remo-Tel user interface
- Fast and easy installation - no complicated software package to install
- Enables you to work anywhere where cellular coverage is present

#### ► SPECIFICATIONS:

##### Environmental

Probe Operating  
Temp. Range:  $-67^\circ\text{F}$  to  $302^\circ\text{F}$  ( $-55^\circ\text{C}$  to  $150^\circ\text{C}$ )

##### Mechanical

Probe length: 49.4" (1254.8mm), 3 sensor  
Probe material: Stainless steel with CPVC external sheath  
Housing: Polypropylene  
Warranty: One year limited warranty, 90 day return policy if cellular connection proves unreliable

##### Electrical

Sensor: (3) High-precision digital temperature sensors on top (24"), middle (36") and bottom (48") of probe  
Accuracy:  $\pm 0.4^\circ\text{F/C}$  (maximum) from  $-67^\circ\text{F}$  to  $302^\circ\text{F}$  ( $-55^\circ\text{C}$  to  $150^\circ\text{C}$ )  
Primary Battery: (2) Rechargeable Lithium Ion with up to 45 days of charge\*  
Back up Battery: Operates device for up to 48 hours, recharges on power up

#### ► INCLUDED WITH PURCHASE:

- Remo-Tel unit
- 2 rechargeable batteries
- Charger (110v)
- 2 removable handles

\*Battery life is dependent on communication interval and environmental conditions.



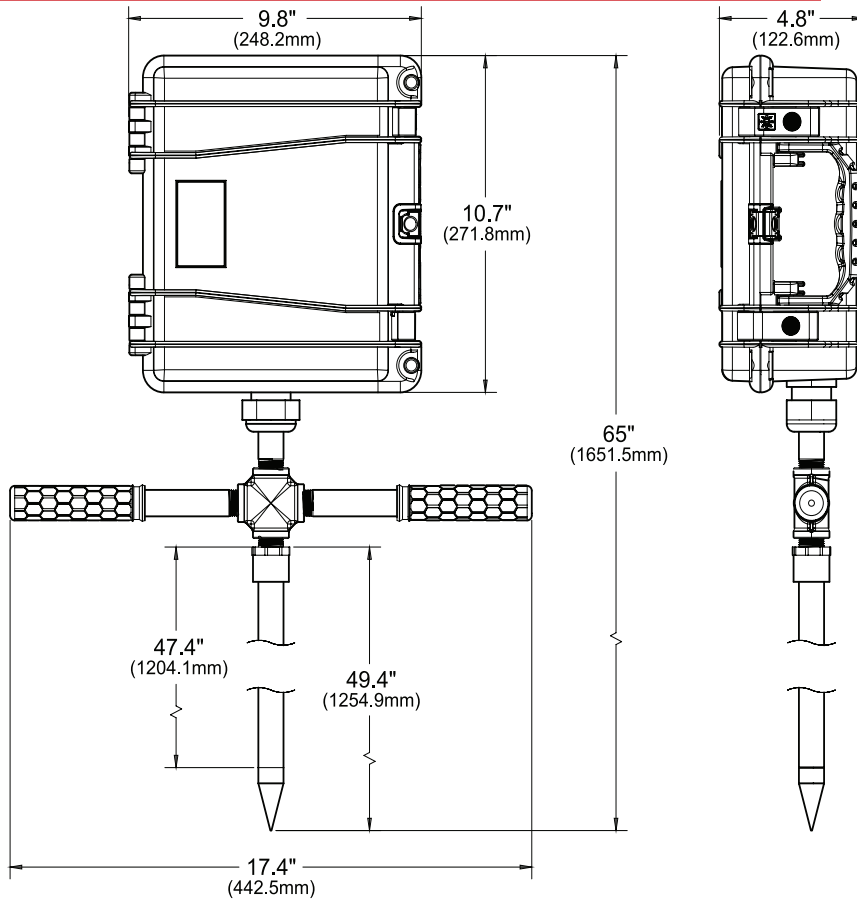
### Tel-Tru Manufacturing Company

408 St. Paul St., Rochester, New York 14605 USA

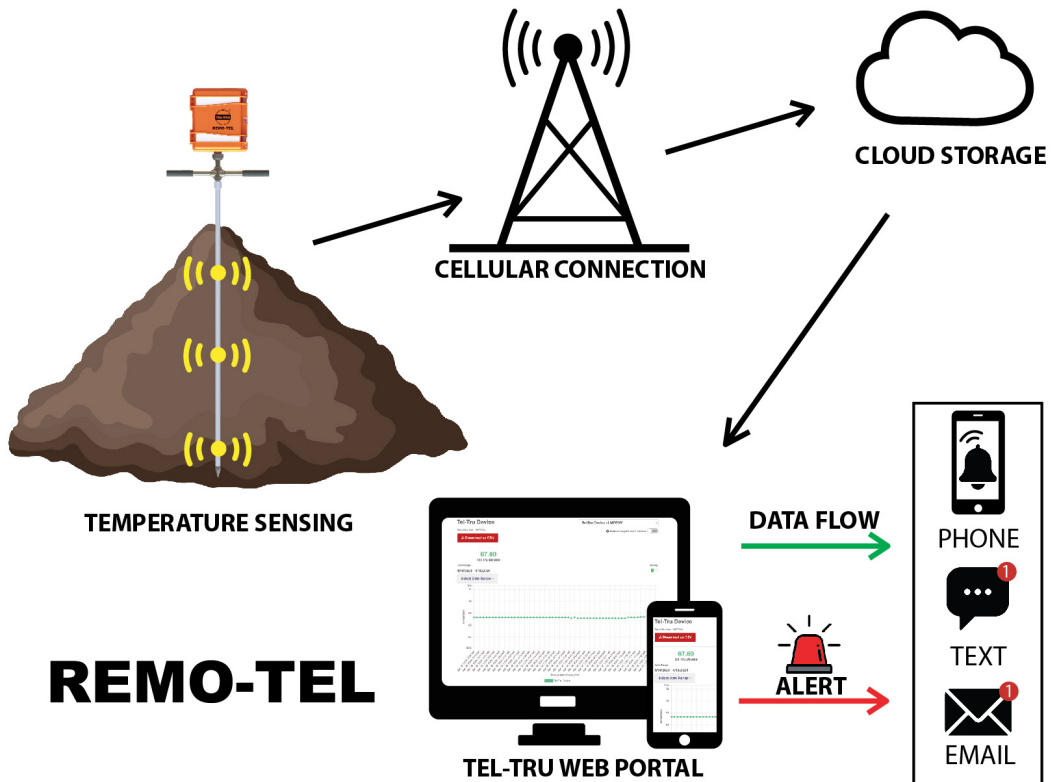
Phone: 585.232.1440 • 800.232.5335 • Fax: 585.232.3857 • E-mail: [customerservice@teltru.com](mailto:customerservice@teltru.com) • Web: [www.teltru.com](http://www.teltru.com)

ISO 9001:2015

**► DIMENSIONS:**



**► HOW IT WORKS:**



**Tel-Tru Manufacturing Company**

408 St. Paul St., Rochester, New York 14605 USA

Phone: 585.232.1440 • 800.232.5335 • Fax: 585.232.3857 • E-mail: customerservice@teltru.com • Web: www.teltru.com